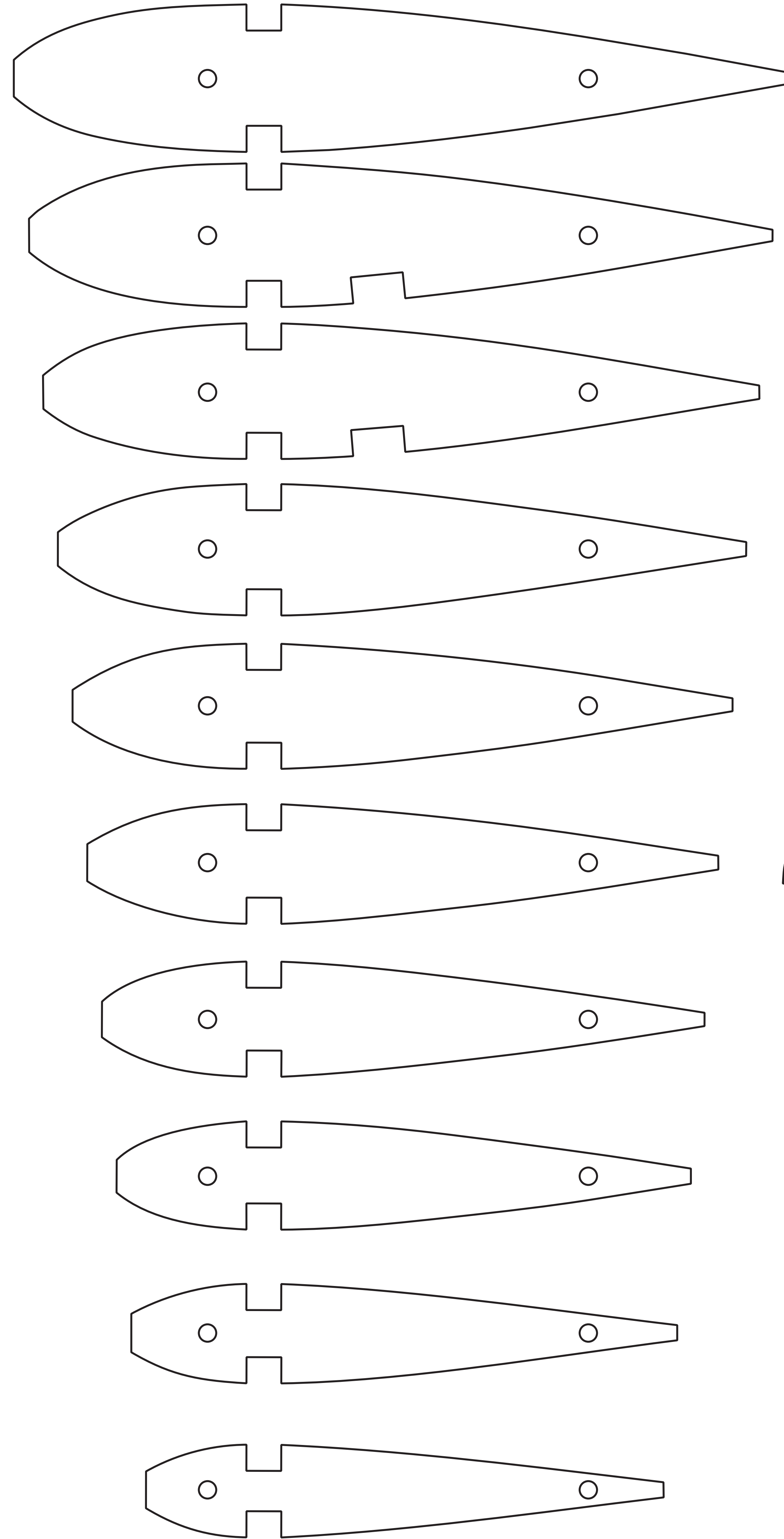
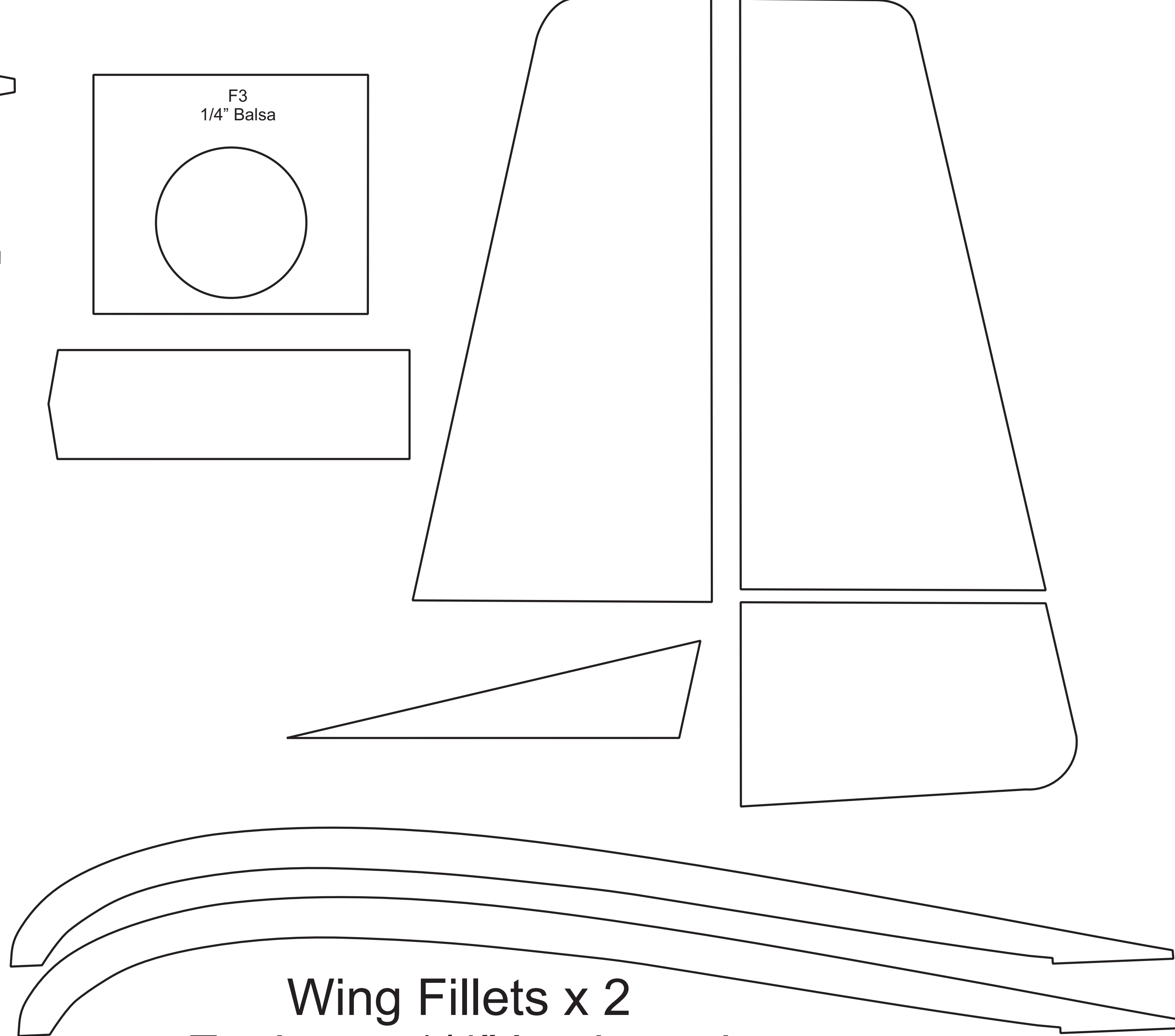


3/32" Balsa Wing Ribs (2 each)

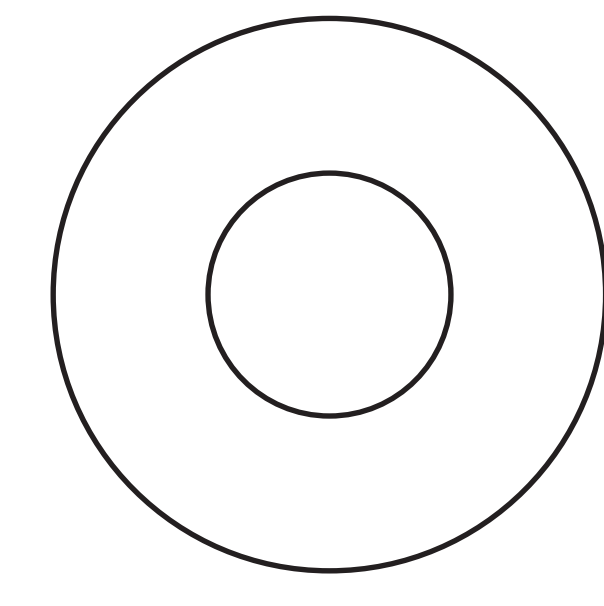


1/4" Balsa

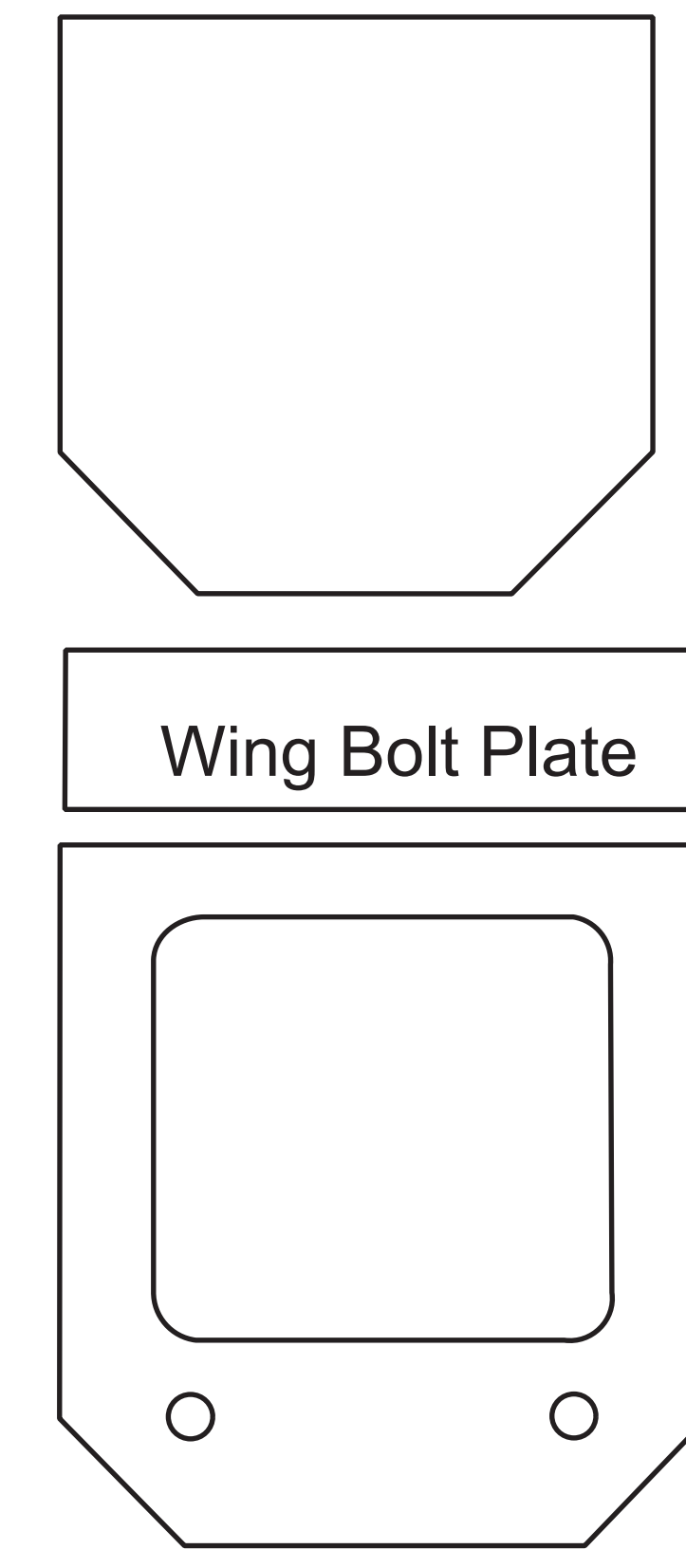


Wing Fillets x 2  
Each two 1/4" laminated

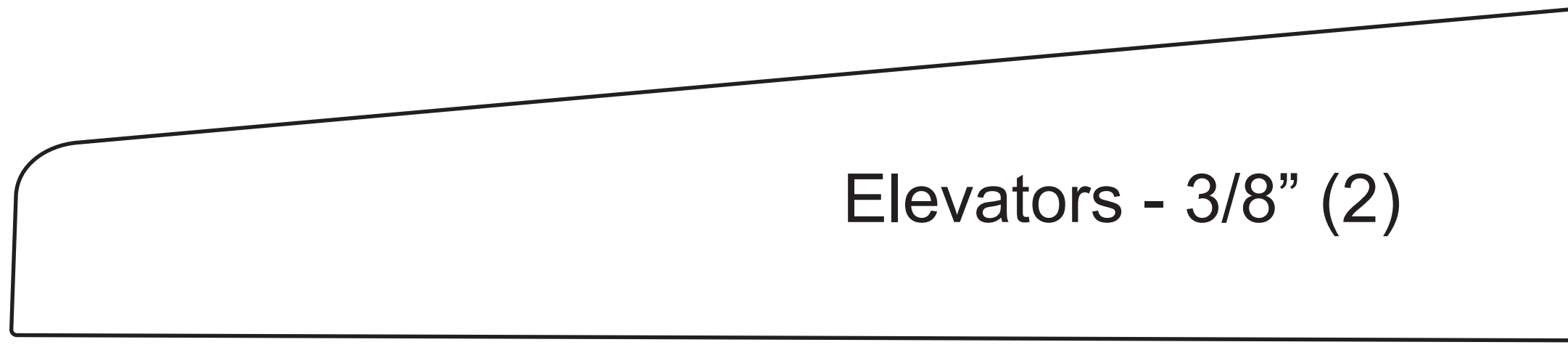
1/8" PLY



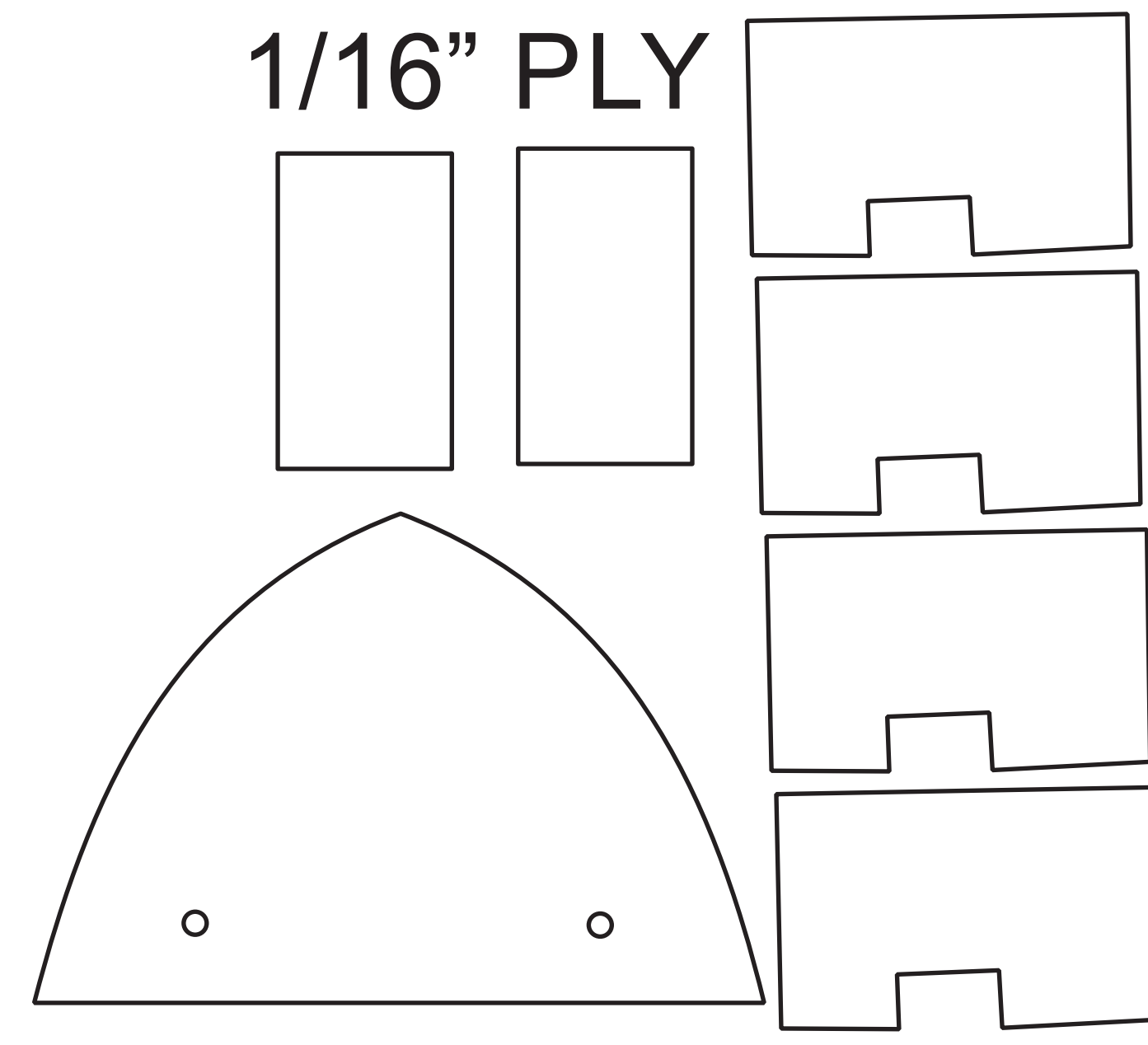
1/4" PLY



Wing Bolt Plate



1/16" PLY



# Super Kaos 60 Parts

## RCM Plans #526



Wing Fillets x 2  
Each 3 @ 1/4" and 2 @ 3.8" laminated

3/16" Balsa Fuse Sides x 2

