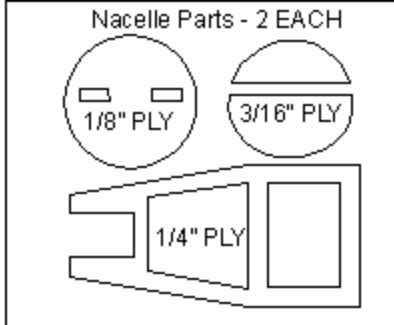
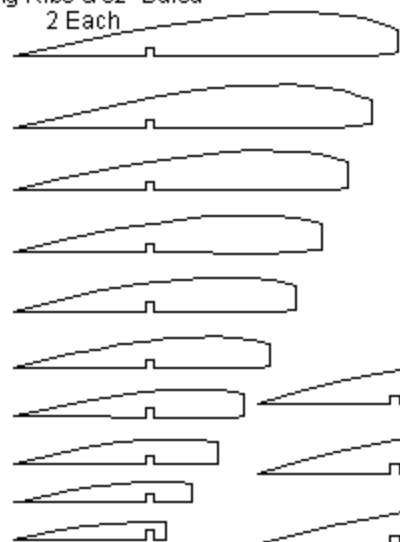
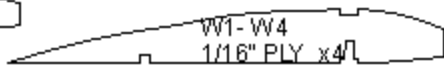


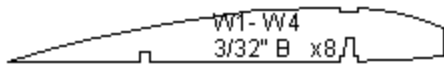
Wing Ribs 3/32" Balsa
2 Each



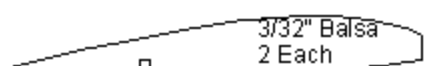
W1 - W4
1/16" PLY x4



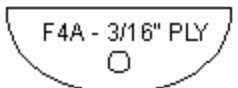
W1 - W4
3/32" B x8



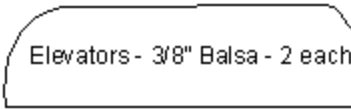
3/32" Balsa
2 Each



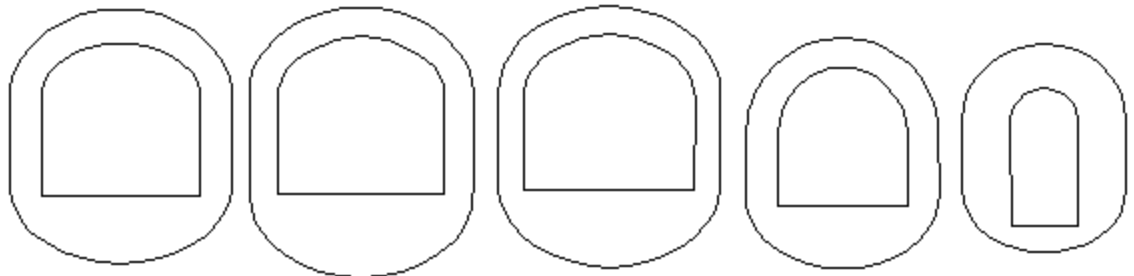
F4A - 3/16" PLY



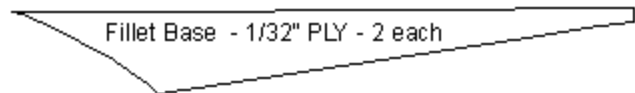
Elevators - 3/8" Balsa - 2 each



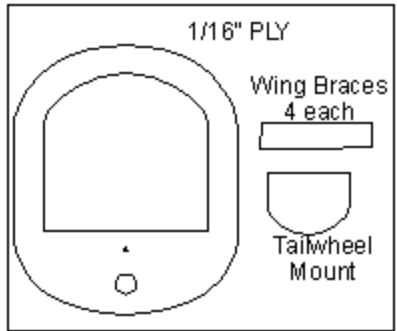
Formers - 3/16" Balsa



Fillet Base - 1/32" PLY - 2 each



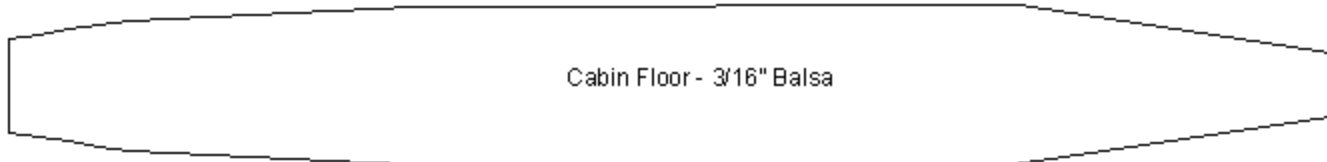
1/16" PLY



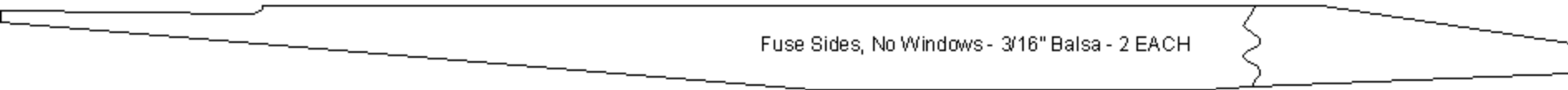
Wing Braces
4 each



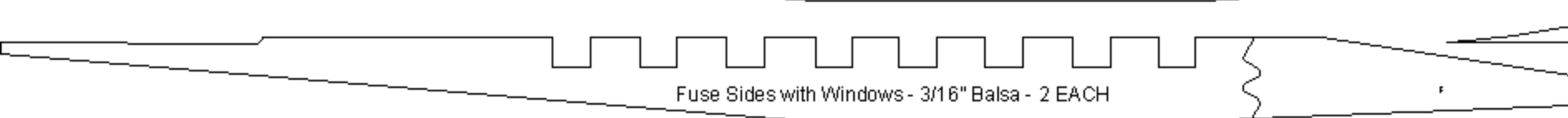
Cabin Floor - 3/16" Balsa



Fuse Sides, No Windows - 3/16" Balsa - 2 EACH



Fuse Sides with Windows - 3/16" Balsa - 2 EACH



Tail Parts - 3/8" Balsa

